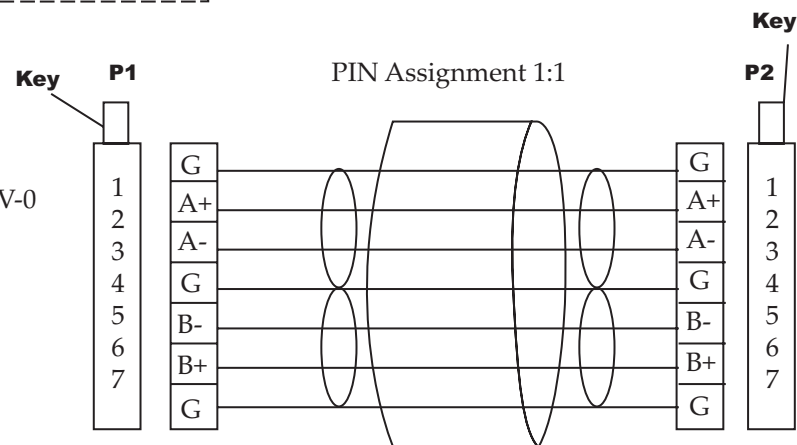



Notes:

1. Cable: UL2725 80°C 30V[26AWG(1/0.404)*2F
+AL/MY+Drain Wire(1/0.32*2)]TIN INS: Foam-PE OD: $\varnothing 1.1 \pm 0.05$ mm PVC Jacket OD: $\varnothing (2.2 \pm 0.1) * (7.8 \pm 0.2)$ mm Color: Red(Pantone 200C) Print: 2725 E209329 AWM 80°C 30V VW-1 Serial ATA 26AWG Lian Feng(Black Word) Impedance: 100 ± 5 OHM(Supplier: Lian Feng)
2. Connector: 2-1 Material: Housing: High Temperature Polyester & Glass Fiber UL 94V-0 Terminal: Copper Alloy
2-1 Plating: Contact Area: 15u" Gold Plated
3. Hood: Molded Type, PVC 45P, Color: Black(NK-K01)
4. Cable Ass'y Electrical Test: 4-1: 100% Open Short & MIS Wire Test
4-2: Contact Resistance 20M OHM Min
4-3: Insulation Resistance 20M OHM Min
5. Packing: See P-0039 Rev. C Packing Drawing
(Binding Size must be smaller than Blister)



Description	

Name :	DWG	P/N	L(mm)	T(mm)	EAN Code	Blister
AK-SATA-050 Serial ATA Signal Cable	140-0497-4	AK-SATA-030	300	10	4016032152712	DB VP2
	140-0497-3	AK-SATA-075	750	20	4016032121695	DB VP2
	140-0497-2	AK-SATA-100	1000	20	4016032121138	DB VP2
	140-0497-1	AK-SATA-50	500	10	4016032121121	DB VP2



THIS DRAWING IS UNPUBLISHED
 © Copyright 2005 by Assmann Electronic Components All International Rights Reserved
 This drawing is a controlled document for Assmann Electronics, Inc. It is subject to change and the controlling engineering organization should be contacted for the latest revision.

1

2

3

4